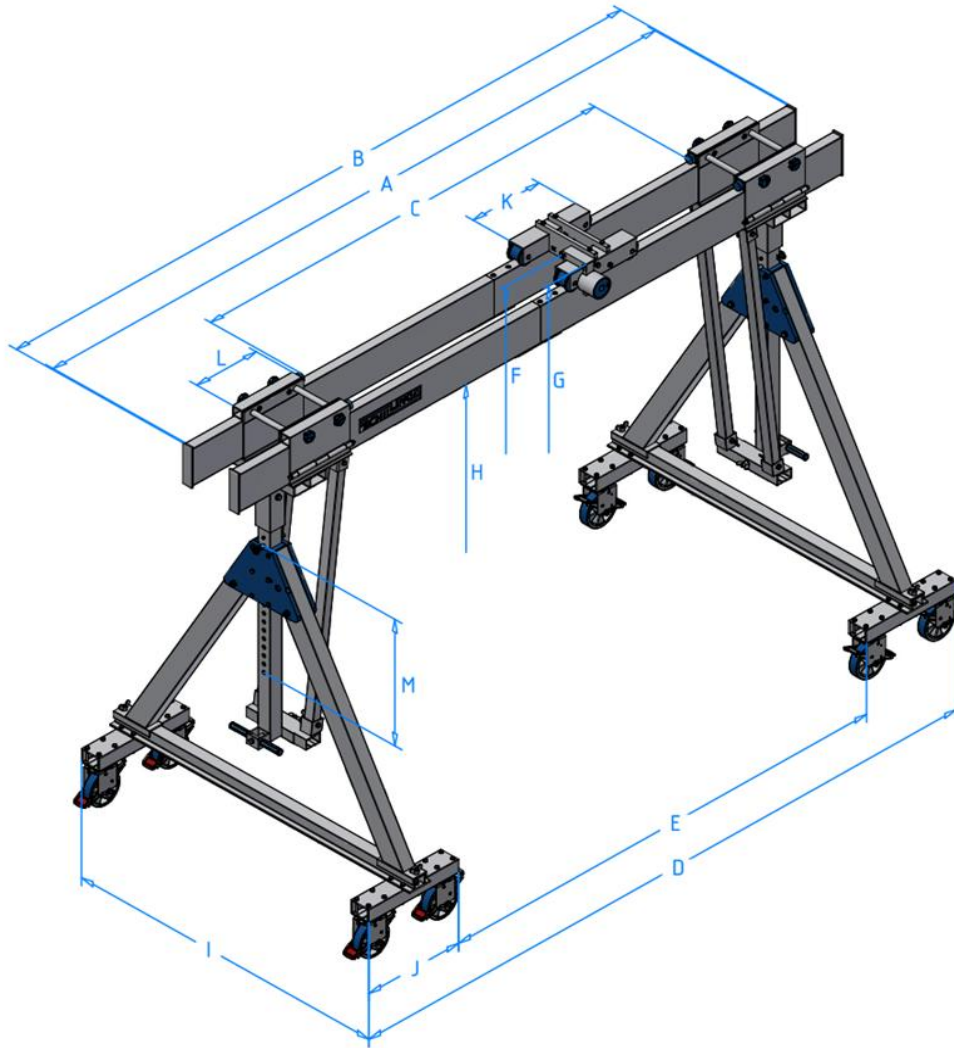


ALUMINIUM GANTRY CRANE, movable under load

load capacity 3.000 kg with double beam

SCHILLING

we lift it



item no.	load capacity	beam length			total width of the crane		suspension point at the bolt of the trolley		total height		lower edge alu beam		lateral stand		park-brake trolley	horizontal adjuster	adjustment range	weight
		clear width	total	usable	outside	inside	min.	max.	min.	max.	min.	max.	width	depth				
	kg	A	B	C	D	E	F		G		H	I	J	K	L	M		kg

SMALL

14403040-10	3000	4000	4016	3158	4482	3290	2135	2485	2235	2585	1868	2218	1488	596	480	421	350	333
14403050-10	3000	5000	5016	4158	5482	4290	2135	2485	2235	2585	1868	2218	1488	596	480	421	350	392
14403060-10	3000	6000	6016	5158	6482	5290	2135	2485	2235	2585	1868	2218	1488	596	480	421	350	418

MEDIUM

14503040-10	3000	4000	4016	3158	4482	3290	2613	3363	2713	3463	2346	3096	1988	596	480	421	750	366
14503050-10	3000	5000	5016	4158	5482	4290	2613	3363	2713	3463	2346	3096	1988	596	480	421	750	425
14503060-10	3000	6000	6016	5158	6482	5290	2613	3363	2713	3463	2346	3096	1988	596	480	421	750	451

HIGH

14603040-10	3000	4000	4016	3158	4482	3290	3004	4154	3104	4254	2737	3887	2312	596	480	421	1150	392
14603050-10	3000	5000	5016	4158	5482	4290	3004	4154	3104	4254	2737	3887	2312	596	480	421	1150	451
14603060-10	3000	6000	6016	5158	6482	5290	3004	4154	3104	4254	2737	3887	2312	596	480	421	1150	477